

# CurrentGuard™ 40



## SYSTEM FEATURES

- Innovative Z-Path System™ ensures equal current sharing, increased reliability and maximum performance
- Each mode protected by surge rated over-current fuse
- Thermal disconnects protect against sustained over-voltage event
- 200kAIC short circuit current rating allows direct bus connection without the need of an upstream over-current protection device
- NEMA LS1 compliance – single pulse tested at nationally recognized 3rd party lab
- Includes UL 1283 listed standard EMI/RFI filter
- All modes of protection (L-N, L-G, N-G & L-L)
- Standard monitoring includes Form C contacts and audible alarm with silence button
- DTS-2 compatible for “pro-active” testing
- Ultra compact steel NEMA 4 enclosure makes installation flexible
- 7-Year standard product warranty

## MODEL NUMBER SCHEME

E.g. MODEL # CG40 - 120/208-3GY

A B

### A – SURGE RATING (Must Choose One)

40	40kA per mode
60	60kA per mode
80	80kA per mode

### B – VOLTAGE (Must Choose One)

120/240-2G	120/240V, 1-Phase, 3-Wire + Ground
120/208-3GY	120/208V, 3-Phase WYE, 4-Wire + Ground
220/380-3GY	220/380V, 3-Phase WYE, 4-Wire + Ground
277/480-3GY	277/480V, 3-Phase WYE, 4-Wire + Ground
347/600-3GY	347/600V, 3-Phase WYE, 4-Wire + Ground
120/240-3GHD	120/240V, 3-Phase High-Leg DELTA, 4-Wire + Ground (B Phase must be 208V)
240-3DG	240V, 3-Phase DELTA, 3-Wire + Ground
380-3DG	380V, 3-Phase DELTA, 3-Wire + Ground
480-3DG	480V, 3-Phase DELTA, 3-Wire + Ground
600-3DG	600V, 3-Phase DELTA, 3-Wire + Ground

### STAND-ALONE OPTIONS (To Be Ordered As A Separate Item)

DTS	DTS-2 Diagnostic Test Set
-----	---------------------------

## PRODUCT SPECIFICATIONS

### General Specifications

Maximum Surge Current Rating:	40kA per mode; 80kA per phase
Repetitive Surge Current Rating:	3,000 impulses per mode based on actual test data (using ANSI/IEEE C62.41.1-2002 C3 combo. wave)
Product Design:	Hybrid panel design with surge rated fuse and UL 1283 listed EMI/RFI filter
Application:	ANSI/IEEE C62.41.1 Locations C, B & A Ideal for distribution panels, branch panels and critical loads
Regulatory Listing:	UL 1449 Second Edition; cUL UL 1283
Standard Warranty:	7-Year

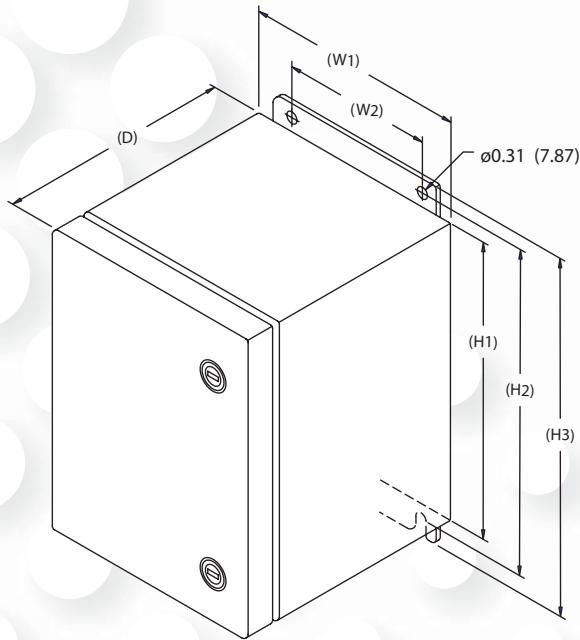
### Electrical Specifications

Operating Frequency:	47-63 Hz
Connection Method:	Parallel to electrical distribution system
Modes of Protection:	Discrete protection (L-N, L-G, N-G, & L-L)
Fault Rating (SCCR):	200kAIC – no upstream over-current protection device (breaker or fuse) required
Response Time:	Less than 0.5 nanoseconds
Standard Monitoring:	Status indicator lights (one per phase) Service indicator light Form C contacts (NO/NC) Audible alarm with silence button

### EMI / RFI Filter Attenuation – Mil Standard 220B

1kHz	10kHz	100kHz	1MHz	10MHz	100MHz	Max. Attenuation Freq.
1 dB	14 dB	32 dB	14 dB	5 dB	1 dB	33 dB @ 106kHz

# CurrentGuard™ 40



## DIMENSIONAL SPECIFICATIONS

Dim	CG40	
H1	8.00	(203.2)
H2	8.75	(222.3)
H3	9.50	(241.3)
W1	6.00	(152.4)
W2	4.00	(101.6)
D	6.20	(157.5)

All measurements in inches (mm)

## MECHANICAL SPECIFICATIONS

Enclosure Type:	Powder coated, impact-resistance steel, weather-proof NEMA 4
Installation Location:	Indoor or outdoor
Dimensions:	8"H x 6"W x 6"D
Connection Method:	Pre-wired with 36 inches of #10AWG conductor
Mounting Method:	Dual mounting flanges
Operating Environment:	-40° C to +70° C (-40° F to +158° F) 5% - 95% non-condensing humidity
Weight:	20 lbs. (9.1 kg)

## CURRENTGUARD 40 PERFORMANCE DATA

Model Number	CG40-120/240-2G CG40-120/208-3GY				CG40-220/380-3GY CG40-277/480-3GY				CG40-347/600-3GY				CG40-120/240-3GHD						CG40-240-3GD		CG40-380-3GD		CG40-480-3GD		CG40-600-3GD				
System Voltage	120/240V 120/208V				220/380V 277/480V				347/600V				120/240V						240V		380V 480V		600V						
Protection Mode	L-N	L-G	L-L	N-G	L-N	L-G	L-L	N-G	L-N	L-G	L-L	N-G	L-N	H-N	L-G	H-G	L-L	H-L	N-G	L-G	L-L	L-G	L-L	L-G	L-L	L-G	L-L		
<b>MCOV</b>	150	150	300	150	320	320	640	320	420	420	840	420	150	320	150	320	300	470	150	320	320	550	550	750	750				
<b>B3 Ring Wave 6kV, 500A</b>	405	470	605	322	640	759	960	721	715	829	1130	670	405	640	470	640	605	800	322	759	640	1050	860	1260	1070				
<b>B3/C1 Combo Wave 6kV, 3kA</b>	590	644	980	603	1040	1067	1890	961	1270	1329	2410	1242	590	1040	644	1067	980	1400	603	977	1040	1600	1870	2120	2440				
<b>C3 Combo Wave 20kV, 10kA</b>	970	1160	1430	1100	1660	1690	2570	1510	1820	1980	3120	1860	970	1660	1160	1690	1430	2050	1100	1540	1620	2280	2500	2880	3300				
<b>UL 1449 2nd Edition SVR</b>	400	400	800	400	800	800	1500	800	1200	1000	2000	1000	400	800	400	800	800	1500	400	800	800	1500	1500	1800	1800				

All CurrentGuard™ systems measured limited voltages are peak values (±10%) measured from the zero reference point and are in compliance with test and evaluation procedures outlined in NEMA LS1-1992 (R2000), paragraphs 2.210 and 3.10.

Specifications subject to change without notice, refer to [www.currenttechnology.com](http://www.currenttechnology.com) for latest revision.



By Danaher Power Solutions  
5900 Eastport Boulevard Richmond, VA 23231-4453 USA  
TEL: 804.236.3300 800.238.5000 FAX: 804.236.4047